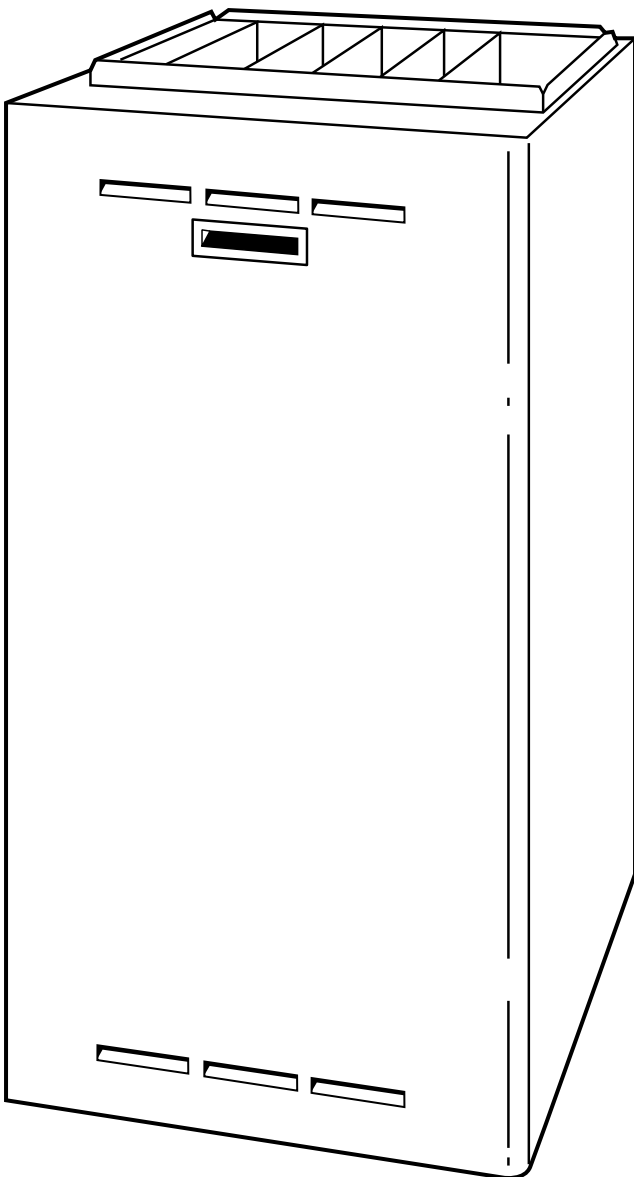


## MODEL 345MAV CONDENSING GAS FURNACE

### NOTE TO INSTALLER:

This manual must be left with the equipment user.



As an ENERGY STAR® Partner, Bryant Heating & Cooling Systems has determined that this product meets the ENERGY STAR® guidelines for energy efficiency.

**WARNING:** If the information in this manual is not followed exactly, a fire or explosion may result causing property damage, personal injury or loss of life.

- Do not store or use gasoline or other flammable vapors and liquids in the vicinity of this or any other appliance.
- **WHAT TO DO IF YOU SMELL GAS:**
- Do not try to light any appliance.
- Do not touch any electrical switch; do not use any phone in your building.
- Immediately call your gas supplier from a neighbor's phone. Follow the gas supplier's instructions.
- If you cannot reach your gas supplier, call the fire department.
- Installation and service must be performed by a qualified installer, service agency or the gas supplier.

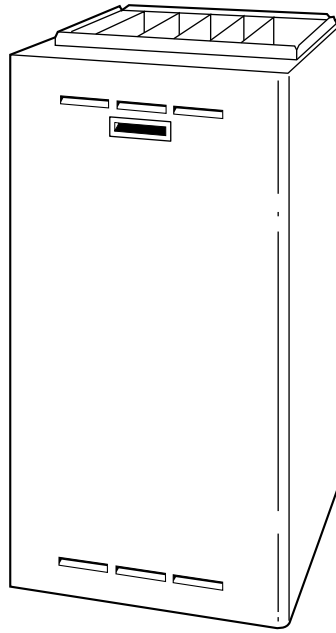
# WELCOME TO A NEW GENERATION OF COMFORT

Congratulations! In light of rising energy costs, the 345MAV Multipoise Condensing Gas Furnace is among the soundest investments today's homeowner can make.

Your new furnace is truly a triumph of technology in home heating. A revolutionary design employs 2 heat exchangers to "squeeze" out the maximum amount of heat from the fuel consumed. In fact, your new furnace is so efficient, 90%\* of the heat generated during combustion is captured and delivered inside your home. That is more than a 33%\* increase in heating efficiency over conventional furnaces.

The furnace is among the most energy-efficient furnaces you can buy today. It is also among the safest and most dependable. We are proud of the technological advances incorporated into the design of this furnace. With only minimal care, your new furnace will deliver many years of money-saving home comfort and enjoyment. Spend just a few minutes with this manual to learn the operation of your new furnace and the small amount of maintenance it takes to help keep it operating at peak efficiency year after year.

\* The output capacity and any representations of efficiency for this furnace are based on standard Department of Energy test procedures.



1

## MODEL 345MAV FURNACE

### INSTALLATION DATA

Date Installed \_\_\_\_\_  
 Dealer Name \_\_\_\_\_  
 Address \_\_\_\_\_  
 City \_\_\_\_\_  
 State \_\_\_\_\_ Zip \_\_\_\_\_  
 Telephone \_\_\_\_\_

### FURNACE

Product No. \_\_\_\_\_  
 Model No. \_\_\_\_\_  
 Serial No. \_\_\_\_\_

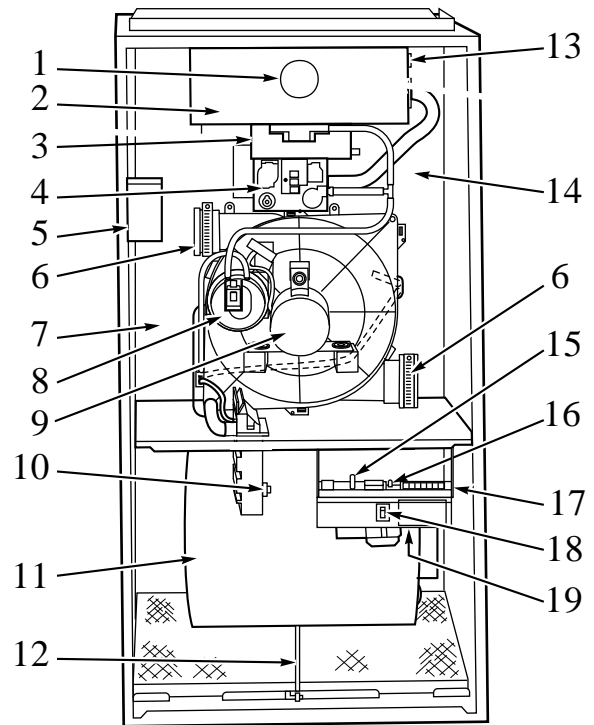
### SPLIT-SYSTEM

OUTDOOR UNIT:  
 Product No. \_\_\_\_\_  
 Model No. \_\_\_\_\_  
 Serial No. \_\_\_\_\_

INDOOR COIL:  
 Product No. \_\_\_\_\_  
 Model No. \_\_\_\_\_  
 Serial No. \_\_\_\_\_

## FURNACE COMPONENTS

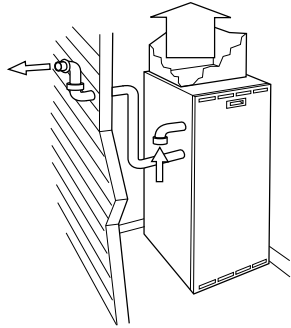
- 1 Burner sight glass for viewing burner flame.
- 2 Burner assembly (inside). Operates with energy-saving inshot burners and hot surface ignitor for safe, dependable heating.
- 3 Combustion-air intake connection (right or left side).
- 4 Redundant gas valve. Safe, efficient. Features 1 gas control with 2 internal shutoff valves.
- 5 Junction box for 115-v electrical power supply.
- 6 Vent outlet. Uses PVC pipe to carry vent gases from the furnace's combustion system (right or left side).
- 7 Secondary condensing heat exchanger (inside). Wrings out more heat through condensation. Constructed with polypropylene-laminated steel to ensure durability.
- 8 Pressure switch ensures adequate flow of flue products through furnace and out vent system.
- 9 Inducer motor. Pulls hot flue gases through the heat exchangers, maintaining negative pressure for added safety.
- 10 Condensate drain connection. Collects moisture condensed from burned gases for disposal into home drain system.
- 11 Heavy-duty blower. Circulates air across the heat exchangers to transfer heat into the home.
- 12 Air filter and retainer.
- 13 Rollout switch (manual reset) to prevent overtemperature.
- 14 Primary serpentine heat exchanger (inside). Stretches fuel dollars with the S-shaped heat-flow design. Solid construction of corrosion-resistant aluminized steel means reliability.
- 15 3-amp fuse provides electrical and component protection.
- 16 Light emitting diode (LED) on control center. Code lights are for diagnosing furnace operation and service requirements.
- 17 Control center.
- 18 Blower access panel safety interlock switch.
- 19 Transformer (24v) behind control center provides low-voltage power to furnace control center and thermostat.



**MODEL 345MAV FURNACE  
(SHOWN IN UPFLOW POSITION)**

## IMPORTANT FACTS

Your gas furnace uses air adjacent to the furnace for combustion and vents to the outside. Do not enclose it in an airtight room or seal it behind solid doors. It must have adequate airflow for efficient combustion and safe ventilation. The vent pipe must terminate outside the structure and must not be obstructed in any way.



3

To minimize the possibility of serious personal injury, fire, damage to your furnace, or improper operation, **carefully follow these safety rules:**

- Keep the area around your furnace free of combustibles materials, gasoline, and other flammable liquids and vapors.
- Do not cover the furnace, store trash or debris near it, or in any way block the flow of fresh air to the unit.
- Combustion air must be clean and uncontaminated with chlorine or fluorine. These compounds are present in many products around the home, such as: water softener salts, laundry bleaches, detergents, adhesives, paints, varnishes, paint strippers, waxes, and plastics.

Make sure the combustion air for your furnace does not contain any of these compounds. During remodeling be sure the combustion air is fresh and uncontaminated. If these compounds are burned in your furnace, the heat exchangers may deteriorate.

- A furnace installed in an attic or other insulated space must be kept free and clear of insulating material. Examine the furnace area when installing the furnace or adding more insulation. Some insulation materials may be combustible.

**NOTE:** Do not use this furnace if any part has been under water. Immediately call a qualified service technician to inspect the furnace and to replace any part of the control system and any gas control which has been under water.

**NOTE:** The qualified installer or agency must use only factory-authorized replacement parts, kits, and accessories when modifying this product.



4

This furnace contains SAFETY DEVICES which must be MANUALLY RESET. If the furnace is left unattended for an extended period of time, have it checked periodically for proper operation. This precaution will prevent problems associated with no heat, such as frozen water pipes, etc. See "Before You Request a Service Call" section in this manual.

## SAFETY CONSIDERATIONS

Installing and servicing of heating equipment can be hazardous due to gas and electrical components. Only trained and qualified personnel should install, repair, or service heating equipment.

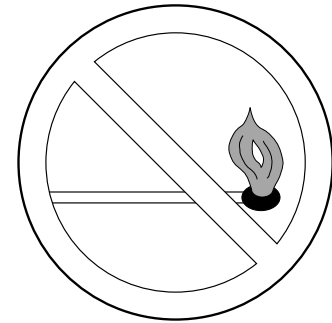
Untrained personnel can perform basic maintenance functions such as cleaning and replacing air filters. All other operations must be performed by trained service personnel. Observe safety precautions in this manual, on tags, and on labels attached to the furnace and other safety precautions that may apply.

Recognize safety information. This is the safety-alert symbol  $\triangle$ . When you see this symbol on the furnace and in instructions or manuals, be alert to the potential for personal injury.

Understand the signal words DANGER, WARNING, and CAUTION. These words are used with the safety-alert symbol. DANGER identifies the most serious hazards which **will** result in severe personal injury or death. WARNING signifies hazards which **could** result in personal injury or death. CAUTION is used to identify unsafe practices which **would** result in minor personal injury or product and property damage.

## STARTING YOUR FURNACE

Instead of a continuously burning pilot flame which wastes valuable energy, your furnace uses an automatic, hot surface ignition system to light the burners each time the thermostat starts your furnace. **Follow these important safeguards:**



5

- Never attempt to light the burners manually with a match or other source of flame.
- Read and follow the operating instructions on the furnace, especially the item that reads as follows:

Wait 5 minutes to clear out any gas. Then smell for gas, including near the floor. If you smell gas, **STOP!** Follow "B" in the safety information above on this furnace label. If you don't smell gas, go to the next step.

- If a suspected malfunction occurs with your gas control system, such as the burners not lighting when they should, refer to the shutdown procedures on the furnace, or in the "Shutting Down Your Furnace" section and call your dealer as soon as possible.

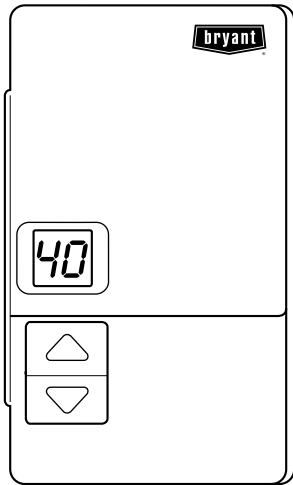
### **WARNING**

**If overheating occurs or the gas valve fails to shut off the gas supply, turn off the manual gas valve to the furnace BEFORE turning off the electrical supply. (See Fig. 7.) Failure to follow this warning could result in a fire or explosion, and personal injury or death.**

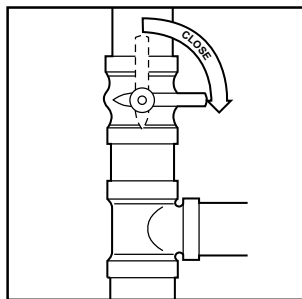
**CHECK AIR FILTER:** Before attempting to start your furnace, be sure the furnace air filter is clean and in place. See "Performing Routine Maintenance" section in this manual. Then proceed as follows:

## STEPS FOR STARTING YOUR FURNACE

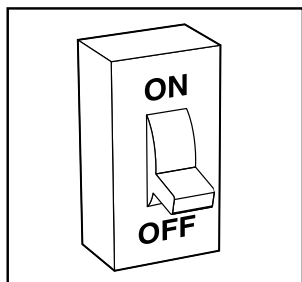
1. Set your room thermostat to the lowest temperature setting. (See Fig. 6.)



6



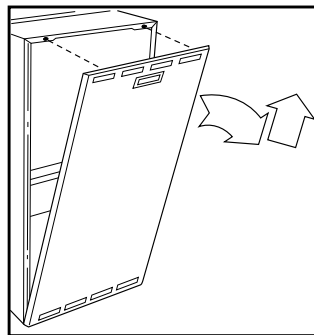
7



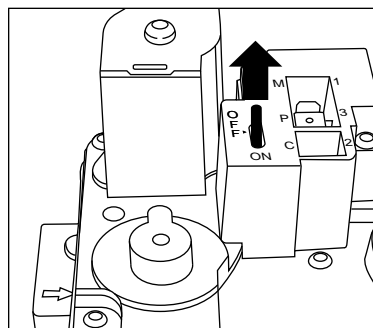
8

2. Close the external manual gas valve. (See Fig. 7.)
3. Turn off electrical supply to the furnace. (See Fig. 8.)
4. Remove the main furnace door. (See Fig. 9.)
5. Gas valve will have EITHER a control switch or control knob to turn OFF or ON. Turn control switch or knob on the gas valve to the OFF position and wait 5 minutes. (See Fig. 10 or 11.) Then smell for gas, including near the floor. If you smell gas, **STOP!** Follow operating instructions on main furnace door.
6. After waiting 5 minutes, turn control switch or knob on the gas valve to the ON position. (See Fig. 12 or 13.)

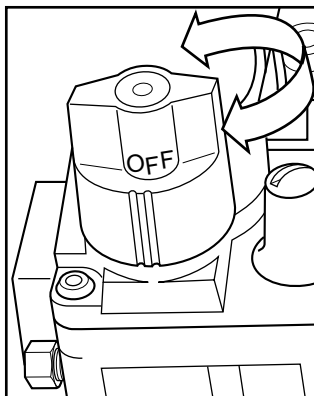
7. Replace main furnace door. (See Fig. 14.)
8. Turn on electrical supply to the furnace and wait 1 minute. (See Fig. 15.)
9. Open the external manual gas valve. (See Fig. 16.)
10. Set room thermostat to a temperature slightly above room temperature. This will automatically signal the furnace to start.
11. When the furnace receives the start signal, the inducer is started. When the pressure switch verifies that there is sufficient combustion air, the control energizes the hot surface ignitor. After the hot surface ignitor is heated for 17 sec, the gas valve permits gas to flow to the main burners. After ignition and a time delay of 60 sec, the furnace blower starts.



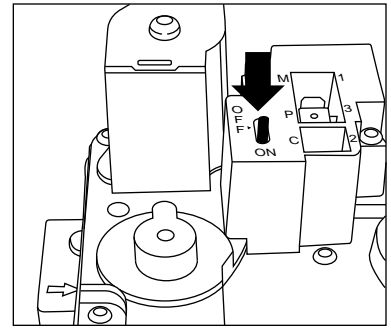
9



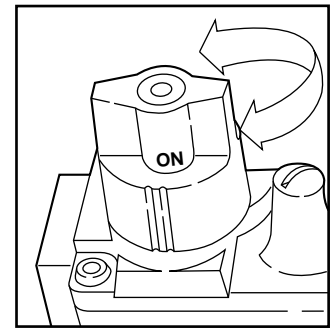
10



11



12



13

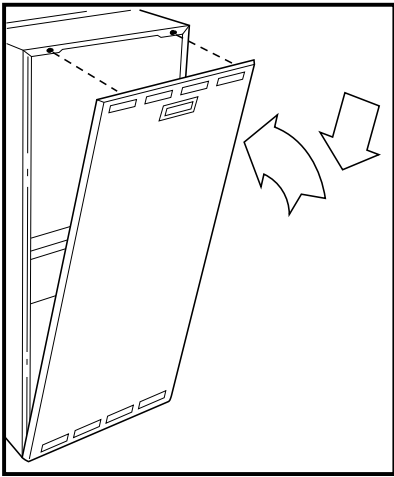
**NOTE:** If the burners fail to ignite after 4 attempts, the furnace control system will lock out. If lockout occurs, main burners fail to light, or blower does not come on, shut down the furnace and call your dealer for service.

12. Set your thermostat to the temperature that satisfies your comfort requirements.

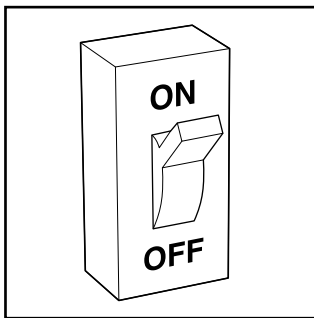
**SUGGESTION:** Setting the thermostat back a few degrees and compensating for the difference with warmer clothing can make a big difference in your fuel consumption on extremely cold days. The few degrees at the top of your thermostat “comfort level” are the most costly degrees to obtain.

When room temperature drops below the temperature selected on the thermostat, the furnace will be switched on automatically. When room temperature reaches the degree selected on the thermostat, the furnace will be switched off automatically.

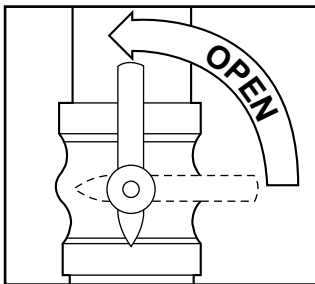
Some thermostats have a FAN mode with 2 selections, AUTO and ON. When thermostat is set to AUTO, the furnace blower cycles on and off, controlled by the thermostat. In ON mode, the furnace blower runs continuously. This keeps the temperature level in your home more evenly balanced. It also continuously filters the indoor air.



14



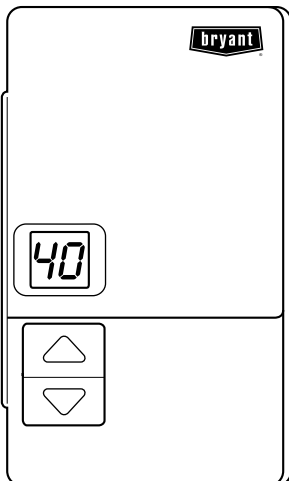
15



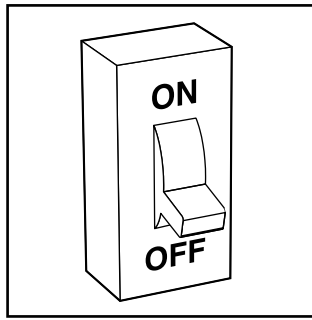
16

## SHUTTING DOWN YOUR FURNACE

Should you need to shut down your furnace for service or maintenance, you will need to turn the furnace off.



17



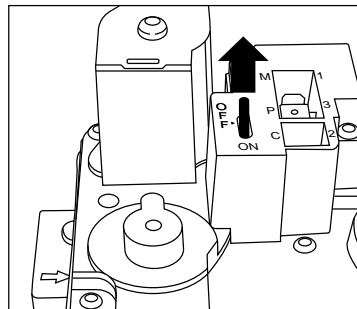
18

The following procedures must be followed:

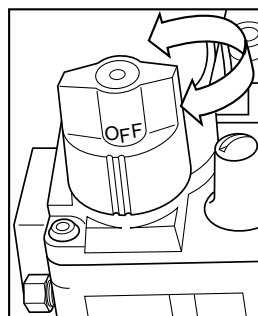
1. Set your room thermostat to the lowest temperature setting. (See Fig. 17.)
2. Close the external manual gas valve. (See Fig. 7.)
3. Turn off electrical supply to the furnace. (See Fig. 18.)
4. Remove main furnace door. (See Fig. 9.)
5. Turn control switch or knob on the gas valve to OFF position. (See Fig. 19 or 20.)
6. Replace main furnace door. (See Fig. 14.)
7. If the furnace is being shut down because of a malfunction, call your dealer as soon as possible.

### ⚠ CAUTION

**Furnace is not to be installed, operated, and then turned off in an unoccupied structure during winter. (See winterizing procedures in maintenance section.)**



19



20

## PERFORMING ROUTINE MAINTENANCE

With proper maintenance and care, your furnace will operate economically and dependably. Instructions for basic maintenance are found on this and the following pages. However, before beginning maintenance, follow these safety precautions:

### ⚠ WARNING

**Turn off electrical power supply to your furnace before removing the main furnace door to service or perform maintenance. Failure to follow this warning could result in personal injury or death.**

### ⚠ CAUTION

**Although special care has been taken to minimize sharp edges, be extremely careful when handling parts or reaching into the furnace.**

## FILTERING OUT TROUBLE

A dirty air filter will cause a loss of airflow in your duct system. When excessive loss of airflow occurs, the furnace may cycle on its safety controls. If this condition is left unattended, the furnace will eventually lock out. It is recommended that the furnace air filter be checked every 3 or 4 weeks and cleaned if necessary.

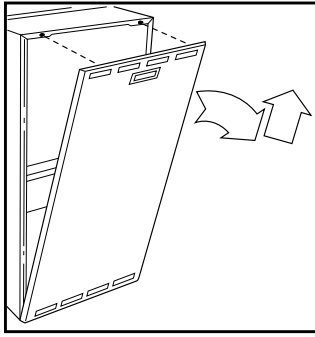
### ⚠ CAUTION

**Never operate your furnace without the air filter in place. Doing so may damage the furnace blower motor. An accumulation of dust and lint on internal parts of your furnace can cause a loss of efficiency.**

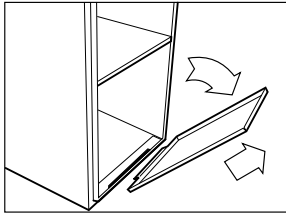
The air filter is normally located in the blower compartment. (See Fig. 2.)

If air filter has been installed in another location, contact your dealer for instructions. To inspect, clean, and/or replace the air filter(s), follow these steps:

1. Turn off electrical supply to the furnace. (See Fig. 18.)
2. Remove main furnace door. (See Fig. 21.)
3. Remove blower access panel. (See Fig. 22.)



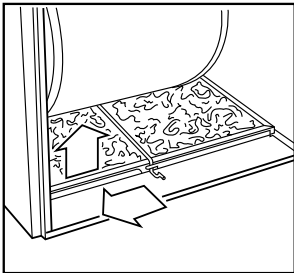
21



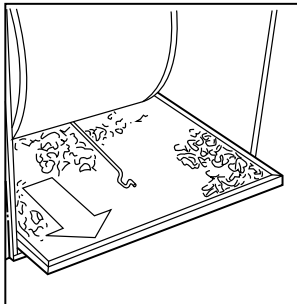
22

**NOTE:** It will be necessary to remove 2 screws.

4. Remove air filter from furnace.
  - AIR FILTER(S) LOCATED IN BOTTOM:
    - a. Slide filter retainer sideways until it is free of latch. (See Fig. 23.)
    - b. Slide air filter out of furnace. (See Fig. 24.)

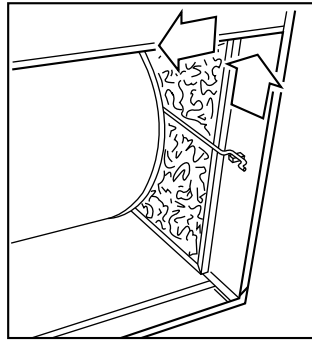


23

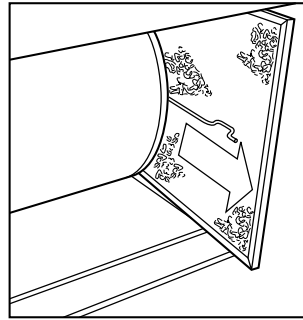


24

- AIR FILTER LOCATED IN SIDE:
  - a. Remove filter retainer from latch. (See Fig. 25.)
  - b. Gently remove air filter and carefully turn the dirty side up (if dirty) to avoid spilling dirt from the filter. (See Fig. 26.)



25



26

5. Inspect the filter. If torn, replace it.

**NOTE:** If washable filter that was shipped with the furnace has been replaced with an electronic air cleaner (EAC), refer to the EAC Owner's Manual for maintenance information.

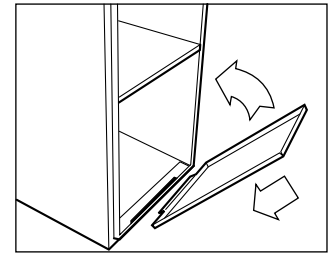
6. Wash filter (if dirty) in a sink, bathtub, or outside with a garden hose. Always use cold tap water. A mild liquid detergent may be used if necessary. Spray water through filter in the opposite direction of airflow. Allow filter to dry.
7. Reinstall clean air filter.
8. Reinstall filter retainer.
9. Replace blower access panel and main furnace door. Be sure to replace 2 screws in blower access panel. (See Fig. 27 and 28.) Turn on electrical supply to the furnace.

If your furnace air filter needs to be replaced, be sure to use the same size and type of filter that was originally supplied. Use the furnace filter table and compare your furnace size with the proper filter size.

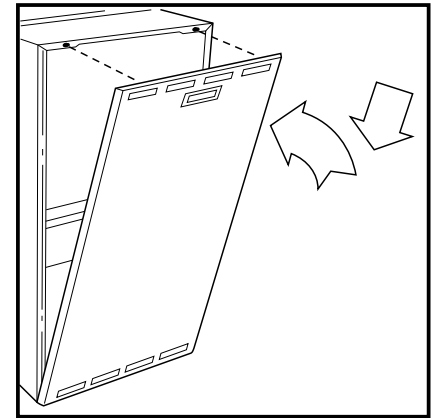
### FURNACE AIR FILTER TABLE

FURNACE CASING WIDTH (IN.)	FILTER SIZE* (IN.)	FILTER TYPE
17-1/2	(1) 16 x 25 x 1	Cleanable
21	(1) 20 x 25 x 1	Cleanable
24-1/2	(2) 16 x 25 x 1	Cleanable

\* Furnace with a side return-air inlet may have a different filter size. Measure the filter to obtain the correct size.



27



28

## COMBUSTION AREA AND VENT SYSTEM

Visually inspect the combustion area and vent system before each heating season. Make sure that all PVC pipes leading into the combustion area and vent are free from any cracks and sags. Check the combustion-air intake adjacent to the furnace for blockage. Also check the vent pipe on the outside of your home for blockage.

When dirt, soot, scale, or rust is allowed to build up, your furnace can suffer a loss of efficiency and perform improperly. Accumulations on the main burners can result in firing out of normal sequence. This delayed ignition creates an alarmingly loud sound.

### ⚠ CAUTION

If your furnace makes an especially loud noise when the main burners light, shut down your furnace and call your dealer.

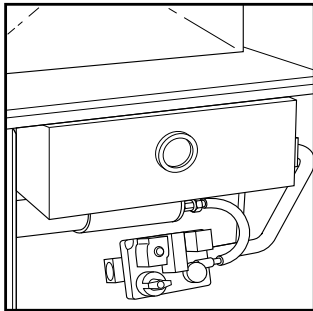
To inspect the combustion area and vent system, you will need a flashlight. Refer to Fig. 2, and proceed as follows:

1. Turn off gas and electrical supplies to the furnace and remove the main furnace door. (See Fig. 7, 8, and 9.)
2. Remove burner enclosure front. (See Fig. 29 or 30.)

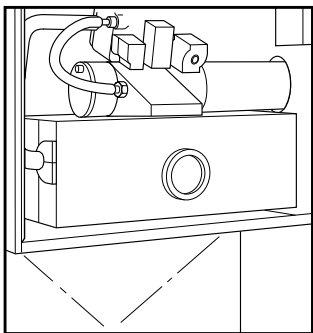
Inspect the gas burners and ignitor area for dirt, rust, soot, or scale.

### ⚠ CAUTION

If dirt, rust, soot, or scale accumulations are found, call your dealer. Do not operate your furnace.



29



30

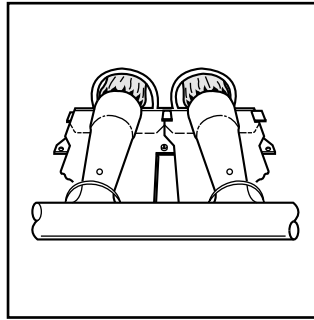
3. Inspect the combustion-air and vent pipes for sags, holes, cracks, or disconnections.

### ⚠ DANGER

If holes are found in the pipes or if any portion has become disconnected, toxic fumes can escape into your home. DO NOT OPERATE YOUR FURNACE. Call your dealer for service.

4. Reinstall burner enclosure front.
5. If your furnace is free of the above conditions, replace main furnace door and turn on electrical and gas supplies to your furnace. (See Fig. 14, 15, and 16.)
6. Start the furnace and observe its operation. Watch the burner flames to see if they are clear blue, almost transparent. (See Fig. 31.) If you

observe a suspected malfunction, or the burner flames are not clear blue, call your dealer.



31

## HEADING SOUTH FOR THE WINTER?

DON'T FORGET YOUR FURNACE!

### ⚠ CAUTION

If the furnace is installed in an unconditioned space where the ambient temperatures may be 32°F or lower, freeze protection measures must be taken.

Since the furnace uses a condensing heat exchanger, some water will accumulate in the unit as a result of the heat transfer process. Therefore, once it has been operated, it cannot be turned off and left off for an extended period of time when temperatures will reach 32° F or lower unless winterized. Follow these procedures to winterize your furnace:

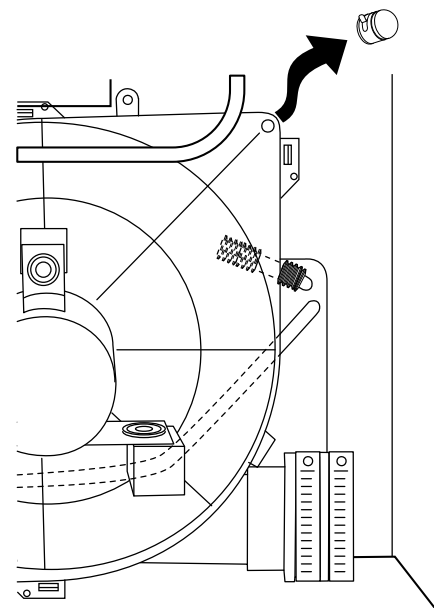
1. Obtain propylene glycol (RV/swimming pool antifreeze or equivalent).

### ⚠ CAUTION

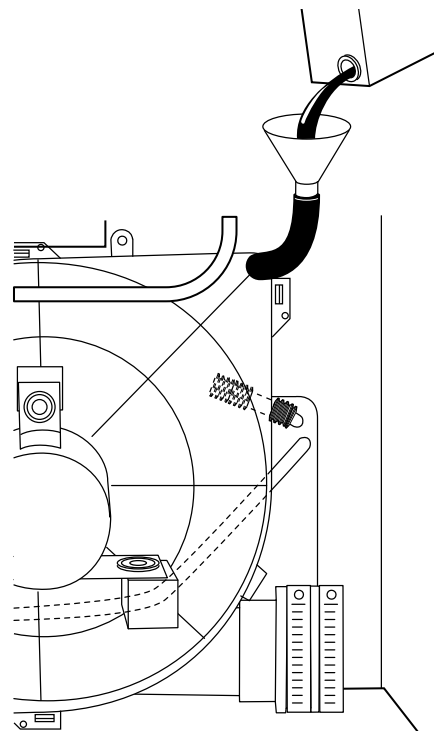
Do not use ethylene glycol (Prestone II antifreeze coolant or equivalent). Failure of plastic components will occur.

2. Turn off electrical supply to the furnace. (See Fig. 18.)
3. Remove main furnace door. (See Fig. 21.)
4. Remove upper right inducer housing drain connection cap. (See Fig. 32.)
5. Connect field-supplied 1/2-in. ID tube to upper inducer housing drain connection.

6. Insert field-supplied funnel into tube.



32



33

7. Pour 1 quart of antifreeze into funnel/tube. Antifreeze should run through inducer housing, overflow condensate trap, and flow into open field drain. (See Fig. 33.)
8. Remove funnel and tube from inducer housing and replace drain connection cap and clamp.
9. Replace main furnace door. (See Fig. 28.)



## A CHECK-UP CHECKLIST

Your furnace represents an important investment in your family's comfort and your home's value. To keep it performing properly and as a preventative to future problems, have a trained service specialist give your furnace a professional check-up annually. The following checklist can be used as a guideline to proper service:

- Inspect all flue gas passages, burners, heat exchangers, coupling box(es), and inducer assembly.
- Inspect all combustion-air and vent piping inside structure and vent pipe termination outside the structure.
- Check gas pipes leading to and inside of your furnace for leaks.
- Inspect and clean the blower motor and wheel.

**NOTE:** The inducer and blower motors are pre-lubricated and require no additional lubrication. These motors can be identified by the absence of oil ports on each end of the motor.

- Inspect and change or clean air filter(s) if necessary.
- Inspect all supply- and return-air ducts for obstructions, air leaks, and insulation. Remedy any problem when necessary.
- Inspect the return-air duct connection(s) at the furnace to ensure it is physically sound, sealed to the furnace casing, and terminates outside the space containing the furnace.
- Inspect electrical wiring, connections, and components for loose connections.
- Perform an operational checkout to determine whether your furnace is working properly and if it requires adjustments.

- Inspect all condensate drain tubes and condensate trap assembly for leaks. The condensate removal system should be cleaned annually by a qualified service agency. Refer to the Service and Maintenance Instructions for further information.
- Examine the physical support of the furnace. The support should be sound with no cracks, sagging, gaps, etc. around the base.
- Check furnace for any obvious signs of deterioration.

## BEFORE YOU REQUEST A SERVICE CALL

If your furnace is not operating or not performing properly, you may save the expense of a service call by checking a few things yourself before calling for service.

### FOR INSUFFICIENT AIRFLOW:

- Check for dirty air filter(s).
  - Check for blocked return-air or supply-air grilles throughout your home. Ensure they are open and unobstructed.
- If problem still exists, call your dealer for service.

### IF FURNACE FAILS TO OPERATE:

- Follow this checklist step by step, advancing to the next step only if furnace fails to start.
- Check thermostat for proper temperature. Is thermostat set above room temperature?
  - Is thermostat set to HEAT?
  - Check fuses and circuit breakers. Is electrical supply on?
  - Is manual shutoff valve in gas supply pipe in open position? (Follow start-up procedures if you open gas valve.)

**NOTE:** Turn off electrical supply before continuing with checklist.

- Is control switch or knob on gas valve in ON position? (Follow start-up procedures if you must reset switch or knob to ON position.)
- Check manual reset flame rollout switch located on the burner box. (See Fig. 2.) If furnace has experienced high temperature conditions, this switch will shut off the furnace. Reset it by pushing the button on the switch. If it trips again, shut down the furnace and call for service. See "Shutting Down Your Furnace" section in this manual.
- Check for obstructions around the vent termination.

If your furnace still fails to operate, call your service representative.

For your convenience, record the furnace product and serial numbers on page 2. Should you ever require service, you will have ready access to the information needed by your service representative.

This furnace has an LED operation and fault code display to aid the installer, service technician, or homeowner while installing or servicing the unit. The LED code can be seen by removing the access door and viewing LED(s) through the view port in the blower access panel.

**NOTE:** Removing the blower access panel or turning off the 115-v electrical power supply will terminate LED diagnostic code display.

To decipher the meaning of the LED code, and suggested action, the following cross-reference can be used.

## MODEL 345MAV DIAGNOSTIC CHART (See Fig. 2.)

FAULT CODE	FAULT CODE DESCRIPTION	CHECKLIST
13 or 33	Limit Switch Lockout	<input type="checkbox"/> Check for dirty air filter. <input type="checkbox"/> Check for blocked return-air or supply-air grilles.
14 or 34	Ignition Lockout or Ignition Proving Fault	<input type="checkbox"/> Check to be sure manual shutoff valve in gas supply pipe is in the open position. (Follow start-up procedure if you open gas line.) <b>NOTE:</b> Turn off the electrical supply and remove access doors before continuing with this checklist. <input type="checkbox"/> Check to be sure control switch or knob on gas valve is in ON position. (Follow start-up procedures if you must reset switch or knob to ON position.)
24	Furnace Fuse Open	<input type="checkbox"/> Check for blown fuse and possible short in 24-v wiring.
31	Pressure Switch Not Closed	<input type="checkbox"/> Check to make sure that all PVC pipes leading into the combustion-air intake and vent/exhaust are free from any cracks and sags. Also check the combustion-air intake adjacent to the furnace and vent/exhaust pipe on the outside of your home for blockage.
12, 21, 22, or 23	Any Other Fault Code	<input type="checkbox"/> Call dealer for service.
No Fault Code Signaled	Furnace Fails to Operate and No Fault is Signaled	<input type="checkbox"/> Check thermostat for proper temperature setting. <input type="checkbox"/> Check for blown fuses and circuit breakers. <input type="checkbox"/> Check to be sure blower access panel is properly in place.

### NOTES:

1. Light on continuously means control has power and working properly.
2. The fault code is a 2 digit number. The first digit is determined by the number of short flashes of the light and the second digit is determined by number of long flashes of the light.



